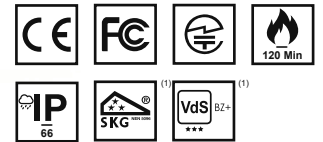
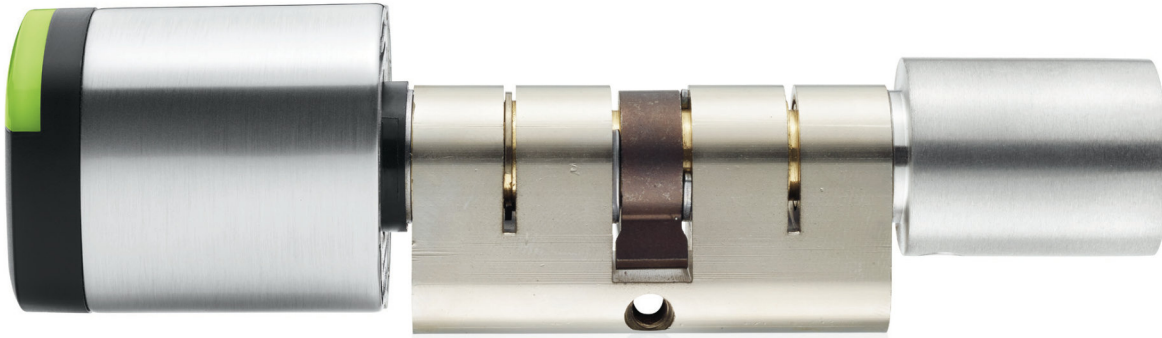


## SALTO EUROPEAN CYLINDER NxEx

Fully integrated with the SALTO SPACE and SALTO KS platforms, the SALTO Neo is a versatile, cost-effective electronic cylinder with a compact size that permits an easy installation, bringing the latest technology to your SALTO access control system.

**SALTO**  
inspired access



<sup>(1)</sup> Depending on the model

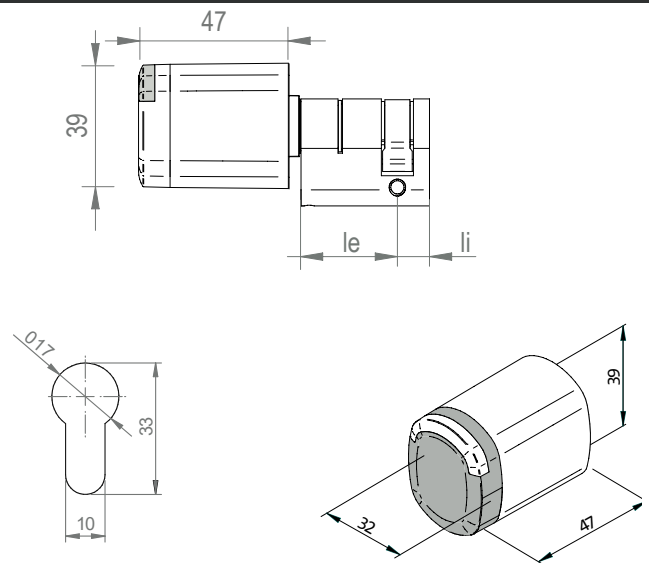
### TECHNICAL DATA:

Housing dimensions:	39mm x 47mm x 32mm
IP class:	Indoor version. Outdoor version IP66 (optional).
Certifications:	CE, FCC/IC, RCM, MIC, VdS BZ+, SKG***, EN 15684, EN 1634-1-E120 -E190 -E160
Body length:	
NxE1	30/10, special lengths with 5mm increments each side possible.
NxE2	30/30 (shorter inner dimension possible), special lengths with 5mm-150mm increments each side possible.
NxE 2	30/30, special lengths with 5mm-145mm increments each side possible.
Cam options	15 mm cam (DIN) 13,2mm cam (Spain) 14,3mm cam (UK) 10 and 13 teeth cogwheel cam
Power source:	4 LR1 alkaline batteries
Number of openings:	Up to 130.000
Maximum events on lock audit:	2 250 (SVN standalone mode) 1 850 (SVN BLUEnet mode) 1 450 (SALTO KS mode)
Environmental conditions (without condensation)	-20°C / +55°C

### NxE1



### TECHNICAL DRAWING:



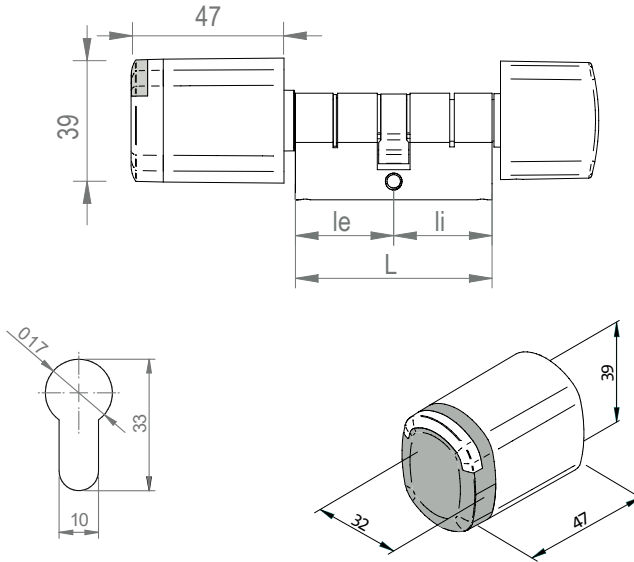
## NxE2



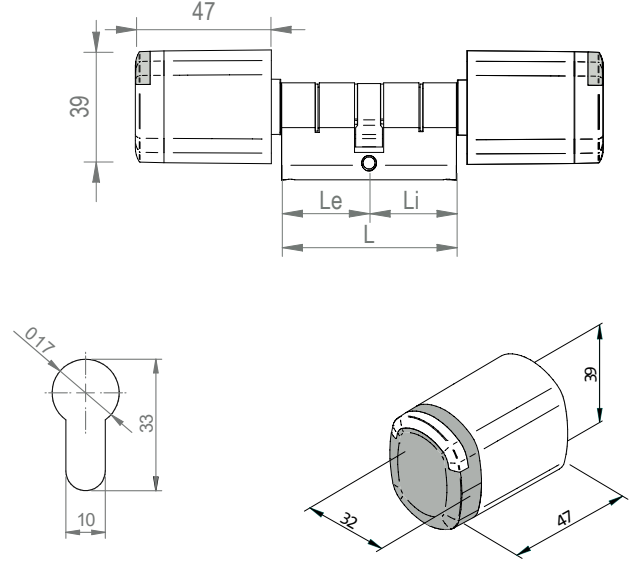
## NxE3



### TECHNICAL DRAWING:



### TECHNICAL DRAWING:



### ID TECHNOLOGIES:

MIFARE:*	•
BLE Smart:	•
NFC:	•
Legic:**	—
HID iCLASS® Seos:	•
Picopass:	—
i-Button:	—

\* MIFARE® (DESFire EV2, Plus, UltralightC, Classic -ISO/IEC 14443)

\*\*Legic Prime and Legic Advant

### OPENING MODES:

Standard:	•
Office mode:	•
Timed office:	•
Automatic opening:	•
Automatic opening +office	•
Toggle:	•
Timed Toggle:	•
Amok mode:	—
Exit leaves open mode:	—

### TECHNOLOGY PLATFORMS:

#### SALTO SPACE:

Smile - Self-programmable	—
ROM:	—
SVN data-on-card:	•
SALTO Wireless RFnet enabled:	—
SALTO Wireless BLUEnet enabled:	•

#### SALTO KS:

SALTO KS:	•
-----------	---

#### SALTOSALLIS:

SALLIS:	—
---------	---

### OPTIONS:

#### READER COLOUR:

Black:	•
White:	•

#### FINISHES:

Satin chrome	•
Polished chrome	•
PVD brightbrass type	•
PVD satin brass type	•
Satin chrome black	•
BioCote® (Satin chrome)	•

<sup>1</sup> depending on the programming mode